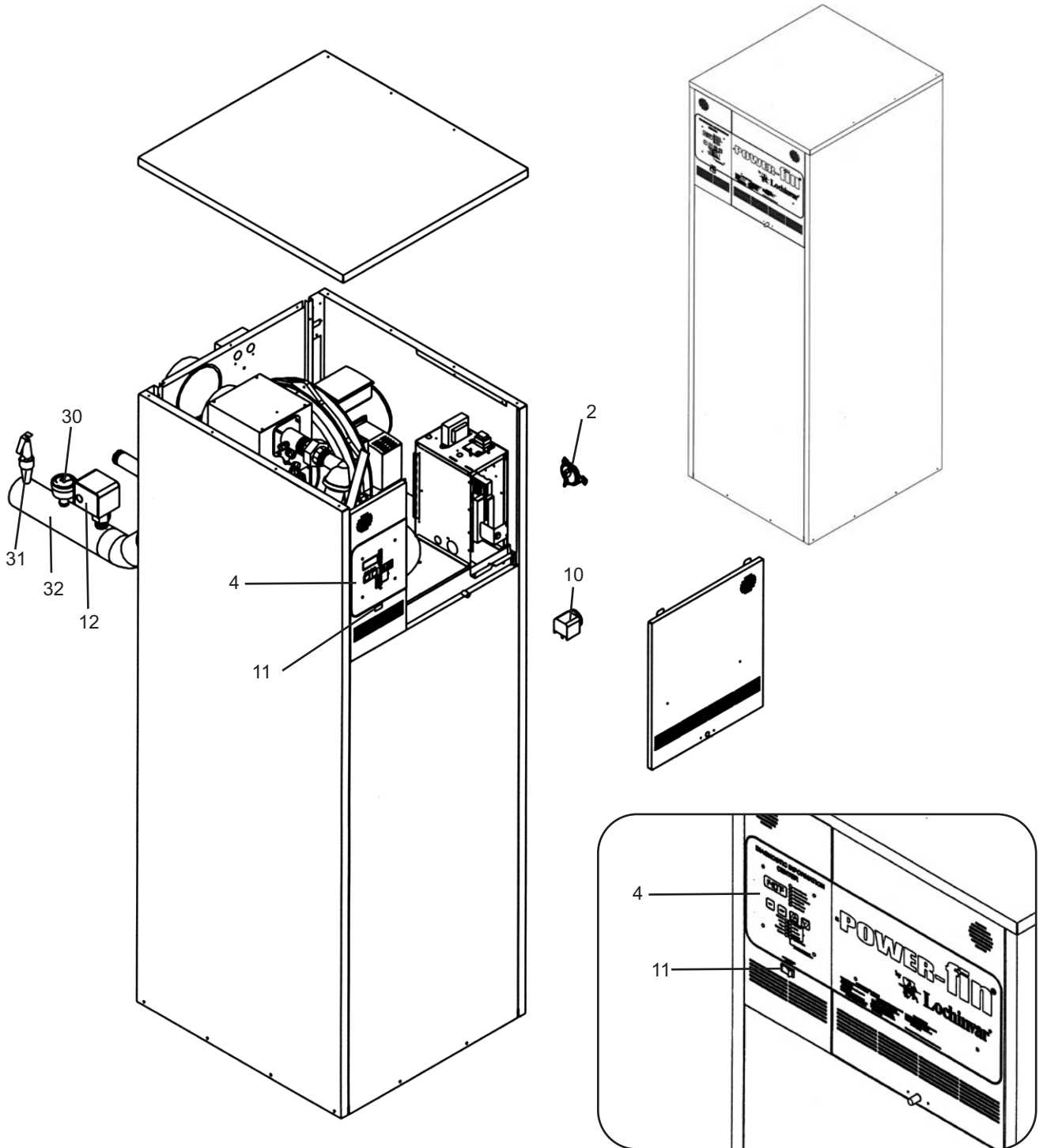




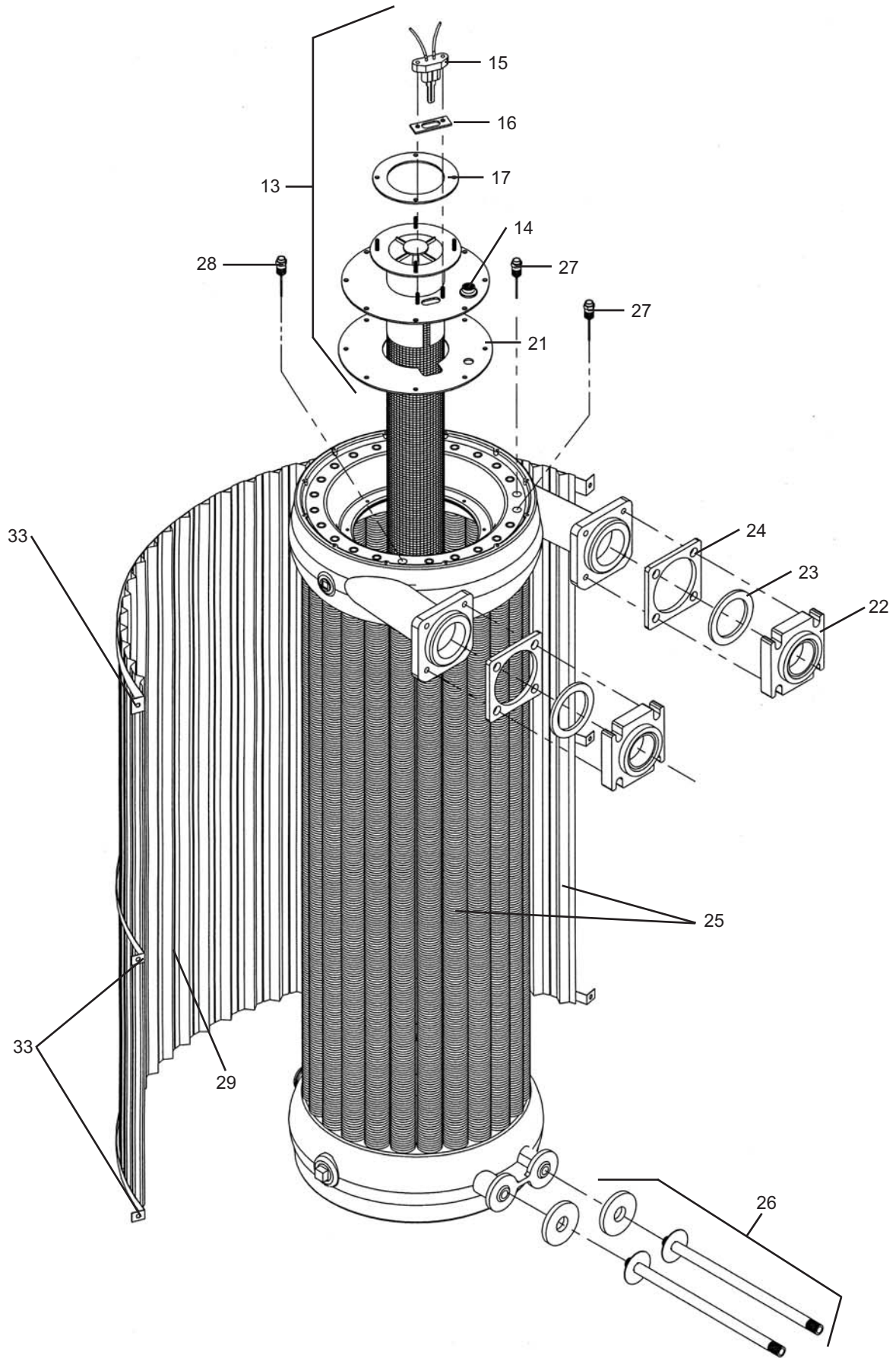
**PARTS AND SERVICE DEPARTMENT**  
Nashville, Tennessee  
615-889-8900 • Fax: 615-547-1000  
www.Lochinvar.com

## Replacement Parts List

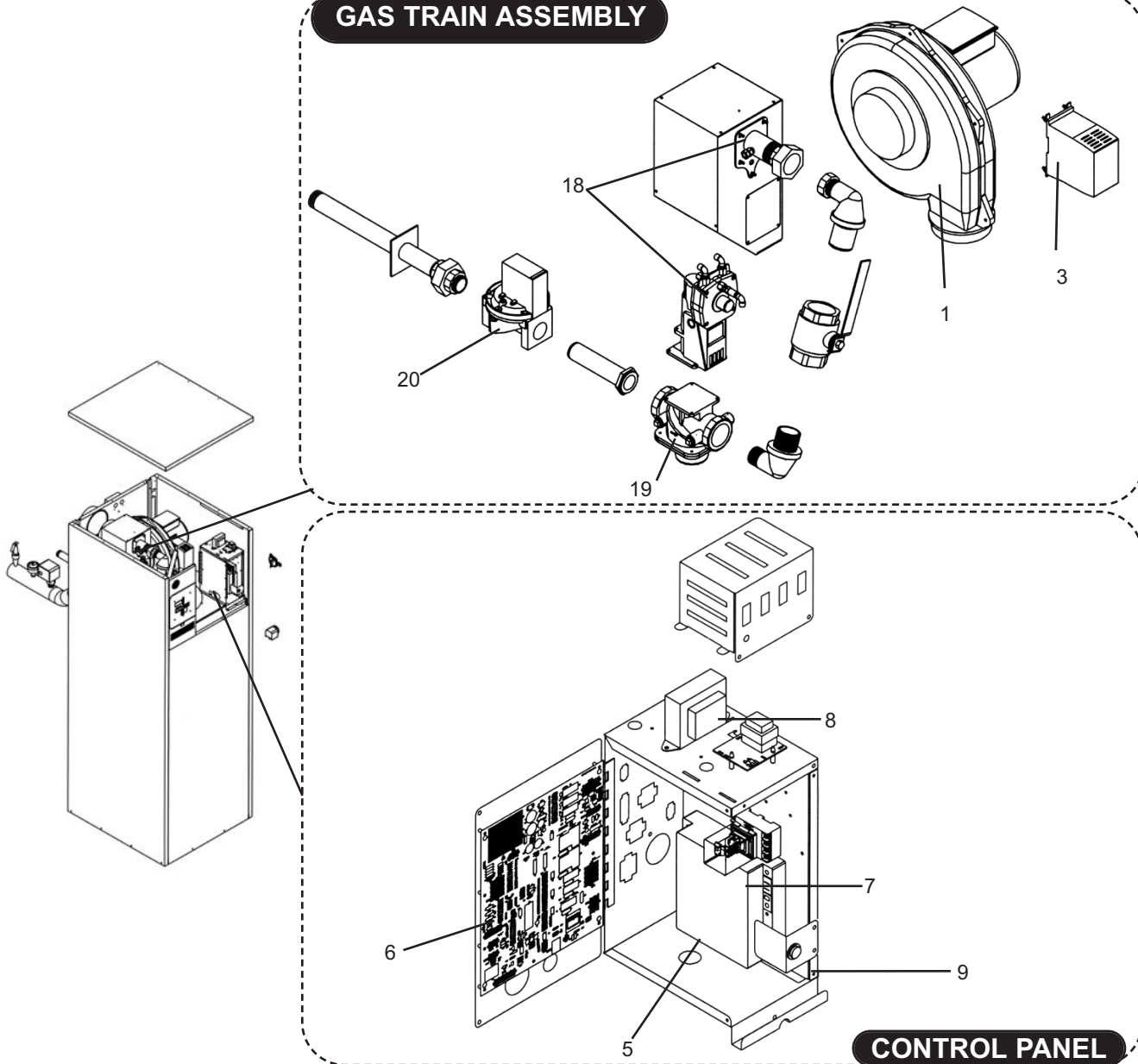
**Power-Fin® 2:1**  
**Boilers/Water Heaters**  
**PB/PF 1500, 1700, 2000**  
**Up to serial #F05H0176841**



# HEAT EXCHANGER ASSEMBLY



## GAS TRAIN ASSEMBLY



## CONTROL PANEL

ITEM NO.	PART NO.	DESCRIPTION	MODEL NO.
<b>CONTROLS</b>			
1	FAN3009	FAN REPLACEMENT ASSEMBLY	1500
1	FAN3010	FAN REPLACEMENT ASSEMBLY	1700
1	FAN3011	FAN REPLACEMENT ASSEMBLY	2000
2	KIT3002	SWITCH, PRESSURE	ALL
3	RLY3021	MOTOR DRIVE, VARIABLE FREQUENCY (VFD)	ALL
4	RLY2724	BOARD, DISPLAY	ALL
5	RLY2402	MODULE, IGNITION	ALL
6	RLY3723	BOARD, CONTROL	PB
6	RLY3724	BOARD, CONTROL	PF
6	RLY3028	BOARD, CONTROL, I/O RESET	PB
7	RLY2706	RELAY, PUMP	ALL
8	TRF2005	TRANSFORMER-75VA (ORDER BY DESCRIPTION)	ALL
8	TRF2010	TRANSFORMER-100VA (ORDER BY DESCRIPTION)	ALL
9	SWT2004	SWITCH, MANUAL RESET	ALL
10	HLC2702	LIMIT, HIGH	ALL
11	SWT2001	SWITCH, POWER, ON / OFF	ALL
12	WTR2040	SWITCH, FLOW	ALL

ITEM NO.	PART NO.	DESCRIPTION	MODEL NO.
<b>GAS TRAIN ASSEMBLIES</b>			
13	BNR3419	MAIN BURNER ASSEMBLY	PF/PB1500
13	BNR3420	MAIN BURNER ASSEMBLY	PF/PB1700
13	BNR3421	MAIN BURNER ASSEMBLY	PF/PB2000
14	MSC2731	SIGHT GLASS, 1/2"	ALL
15	PLT3400	IGNITOR, HOT SURFACE	ALL
16	GKT2012	GASKET, IGNITOR	ALL
17	GKT2103	GASKET, BLOWER	ALL
18	VAL3004	ACTUATOR KIT	ALL
19	VAL2710	VALVE, GAS 1-1/2"	PF/PB1500
19	VAL2711	VALVE, GAS 2"	PF/PB1700-2000
20	VAL2044	VALVE, GAS 1-1/2"	ALL
21	GKT2102	GASKET, BURNER	ALL
<b>HEAT EXCHANGERS</b>			
22	WTR4708	FLANGE	ALL
23	GKT2006	GASKET, TOP HEADER FLANGE	ALL
24	GKT2006	GASKET, FLANGE	ALL
25	HEX3060	HEAT EXCHANGER (HLW)	PF1500
25	HEX3061	HEAT EXCHANGER (HLW)	PF1700
25	HEX3062	HEAT EXCHANGER (HLW)	PF2000
25	HEX3068	HEAT EXCHANGER (H)	PB1500
25	HEX3069	HEAT EXCHANGER (H)	PB1700
25	HEX3070	HEAT EXCHANGER (H)	PB2000
26	DRV3800	DRAIN VALVE KIT	ALL
<b>MISCELLANEOUS</b>			
27	TST2300	BULB WELL, EMMEN CONTROL	ALL
28	TST2306	BULB WELL, HIGH LIMIT	ALL
29	JKH2012	V-BAFFLE, HEAT EXCHANGER (24 REQ.)	PF/PB1500
29	JKH2013	V-BAFFLE, HEAT EXCHANGER (24 REQ.)	PF/PB1700
29	JKH2013	V-BAFFLE, HEAT EXCHANGER (24 REQ.)	PF/PB2000
30	GTP2900	GAUGE, TRI-O-METER 0-75 PSI, 70-250°F	ALL
31	RLV2016	VALVE, RELIEF T&P 1" 150#	PF
31	RLV2003	VALVE, PRESSURE 1" 50#	PB1500-1700
31	RLV2001	VALVE, PRESSURE 3/4" 50# (2 REQ.)	PB2000
32	CPR4139	OUTLET PIPE	ALL
33	JKH6431	V-BAFFLE RETAINER (3 REQ.)	ALL
-	WRE2145	SENSOR	ALL
-	MSC2933	ALUMINUM TUBING (ORDER BY THE FOOT)	ALL
-	TUB8000	TUBING, EPDM 3/8" (ORDER BY THE FOOT)	ALL
-	KIT4000	CONSTRUCTION FILTER	ALL
-	GKT3705	GASKET KIT	ALL
<b>PUMPS</b>			
-	ARM3077PAB	PUMP	PF1500-2000
<b>INSULATION</b>			
-	FIB2119	INSULATION, SIDES	PF/PB1500
-	FIB2120	INSULATION, SIDES	PF/PB1700
-	FIB2121	INSULATION, SIDES	PF/PB2000
-	FIB2122	INSULATION, BACK	PF/PB1500
-	FIB2123	INSULATION, BACK	PF/PB1700
-	FIB2124	INSULATION, BACK	PF/PB2000
-	FIB2106	INSULATION, FRONT	PF/PB1500
-	FIB2107	INSULATION, FRONT	PF/PB1700
-	FIB2108	INSULATION, FRONT	PF/PB2000
-	FIB2109	INSULATION, FRONT DOOR	PF/PB1500
-	FIB2110	INSULATION, FRONT DOOR	PF/PB1700
-	FIB2111	INSULATION, FRONT DOOR	PF/PB2000

**PLEASE HAVE MODEL NUMBER & SERIAL NUMBER AVAILABLE WHEN ORDERING PARTS.**